

OLYMPUS[®]

Your Vision, Our Future

Biological Microscope

CX23

Bringing Reliability to the Classroom



User-Friendly Design and Outstanding Optical Performance



Ergonomic grip

- Ergonomic grips add safety when retrieving the microscope from high places.
- Colored grips indicate the appropriate places to hold the microscope.
- Smooth, rounded design eliminates sharp edges.
- The CX23 microscope is one of the lightest in its class, with a total weight of approx. 5.9 kg (13.01 lbs).

Lift

1



Angled arm enables comfortable carrying



Ergonomic grip for easy carrying

- The arm is angled to keep user's wrists in a comfortable, neutral position.
- The eyepiece can be fixed in place to help prevent damage or loss during transportation.
- A rackless stage and stage cover enable safety and stability during long periods of use.

Carry

2



Fixed eyepieces



Rackless stage and stage cover

- A locking pin keeps the observation tube in place.
- Interpupillary adjustments, ranging from 48 to 75 mm, enables individual users to set it to their needs.
- Eyepoint adjustments accommodate the user's height and provide greater comfort.
- Left and right diopter adjustment enable optimal focus for each eye.

Prepare

3



Convenient and easily accessible power cable storage



Locking pin for easy binocular rotation



Interpupillary adjustment



Eyepoint height adjustment

Designed for the Classroom



Set the Sample

4

- An inward-facing rotating nosepiece facilitates a larger working area above the stage, enabling easier operation and specimen exchange or making it easier to apply oil to immersion objectives.
- Objectives with long working distances provide clearance for thick samples and slides.
- Bring specimens into focus quickly by using the coaxial knobs for fine or coarse adjustments. The microscope is built for durability and precise control, whether accessed from the left or right side.
- A torque release function helps prevent damage if excess force is applied to the coarse focusing knob or stage knob.



Inward-facing revolving nosepiece



Coaxial knobs

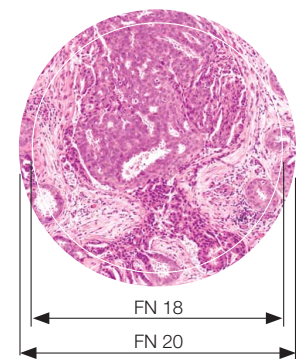
Observe

5

- The focus lock helps prevent the objectives from damaging the specimen.
- Field number (FN) of 20 provides a wide field of view.
- The CX23 microscope features plan achromat objectives that preserve outstanding image flatness throughout the field of view.
- The energy saving LED light source provides a long operation lifetime of 20,000 hours.
- Daylight balanced LED illumination preserves the vivid colors on HE-stained samples.



Focus lock



Wide field of view

Store

6

- A storage compartment on the back of the CX23 microscope makes it easy to stow the power cable after use.
- Protect your investment with an optional custom designed wooden case.
- When the CX23 microscope needs to be left unattended, a built-in security slot enables attachment of an anti-theft cable.



Cable storage compartment



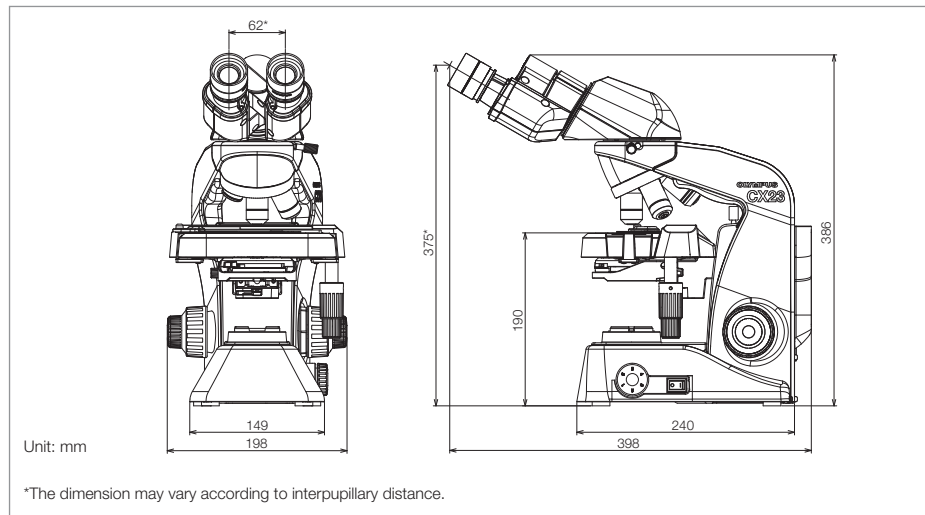
Built-in security slot

CX23 Specifications

Model	CX23LEDRF (S1/S2)		CX23RTFS2	
Body	Aluminum die-cast metal frame, protective plastic covering			
Optical System	Infinity optical system			
Illumination System	Built-in transmitted illumination system LED power consumption: 0.5 W (nominal value)			
Focusing	•Stage height movement •Coarse movement stroke: 15 mm •Coarse adjustment limit stopper •Torque adjustment for coarse adjustment knob •Fine focus knob (minimum adjustment gradations: 2.5 μm)			
Revolving Nosepiece	Fixed quadruple nosepiece with inward tilt			
Stage	Wire movement mechanical fixed stage •Size (W × D): 174 mm × 89 mm •Traveling range (X × Y): 76 mm × 30 mm •Specimen holder •Specimen position scale			
Observation Tube	Type	Binocular, anti-fungal		Trinocular, anti-fungal
	Eyepiece (anti-fungal)	10X Field Number (FN): 20 15X Eyepiece (FN): 12 (optional)		
	Tube inclination	30°		
	Light path selector	None		Eyepiece/Camera port = 100/0 or 0/100
	Interpupillary distance adjusting range	48 – 75 mm		
Eyepoint adjustment	370.0 – 432.9 mm			
Condenser	•Abbe condenser NA 1.25 with oil immersion		•Built-in aperture iris diaphragm	
Objectives	Plan Achromat, anti-fungal 4X NA 0.1 W.D. 27.8 mm 10X NA 0.25 W.D. 8.0 mm 20X NA 0.4 W.D. 2.5 mm (optional) 40X NA 0.65 W.D. 0.6 mm 100Xoil NA 1.25 W.D. 0.13 mm (CX23LEDRFS1 built-in, CX23LEDRFS2/RTFS2 optional)			
Optional Accessories	Reflection mirror (CH20-MM), eyepiece micrometer Dust cover, darkfield stop (CH2-DS+CH2-FH) Field Diaphragm (CX23-FS)* Dedicated wooden case (CH20-WB2)		Reflection mirror (CH20-MM), eyepiece micrometer Dust cover, darkfield filter (CH2-DS)	
Dimensions (W × D × H)	198 mm × 398 mm × 386 mm		198 mm × 398 mm × 430 mm	
Weight	Approximately 5.9 kg		Approximately 6.5 kg	
Rated Voltage/Electric Current	AC 100 – 240 V 50/60 Hz 0.4 A			
Power Consumption	Less than 2 W			

*CX23-FS is included in CX23RTFS2 standard set

DIMENSIONS



Dedicated wooden case (optional)

Specimen courtesy of :
 JAPANESE FOUNDATION FOR CANCER RESEARCH
 Cancer Institute, Cancer Institute Hospital
 Department of Pathology
 Futoshi Akiyama, M.D., Ph.D.
 Yuichi Ishikawa, M.D., Ph.D.

- OLYMPUS CORPORATION is ISO14001 certified.
- OLYMPUS CORPORATION is ISO9001 certified.
- OLYMPUS CORPORATION is ISO13485 certified.

• All company and product names are registered trademarks and/or trademarks of their respective owners.
 • Specifications and appearances are subject to change without any notice or obligation on the part of the manufacturer.

www.olympus-lifescience.com

OLYMPUS[®]

OLYMPUS CORPORATION
 Shinjuku Monolith, 2-3-1 Nishi-Shinjuku, Shinjuku-ku, Tokyo 163-0914, Japan